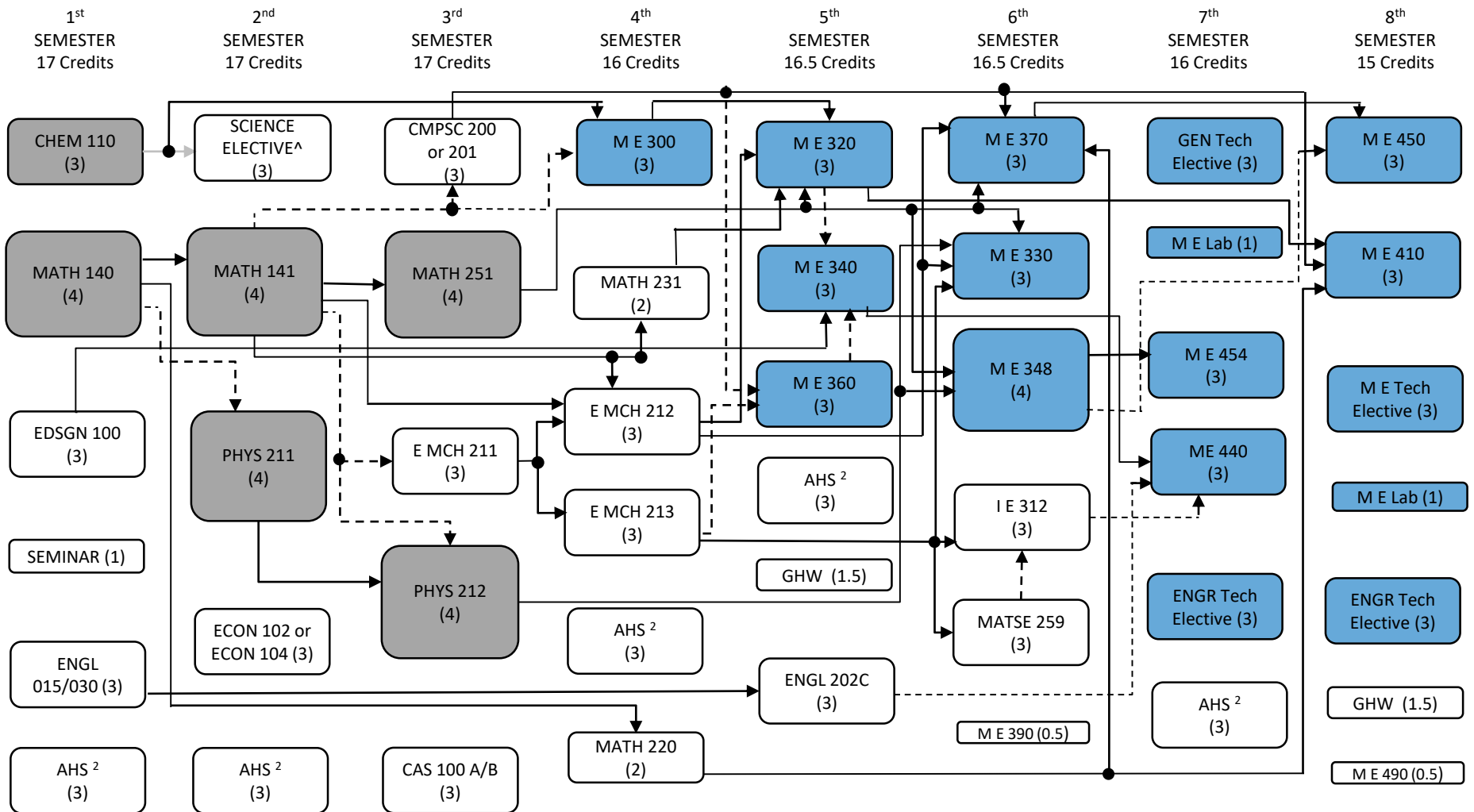


# MECHANICAL ENGINEERING CURRICULUM (Option B: last Name begins with L-Z)



^ Science Elective options – CHEM 112, BIOL 141, or CHEM 111 and PHYS 214 – 3 total credits

E MCH 210 is not a direct substitute for E MCH 211 and 213 requirements

**US Cultures & IL Cultures** and **Integrative studies** requirements are satisfied in conjunction with AHS courses.

Courses shaded in **BLUE** used for the In-major GPA calculation.

Courses shaded in **GRAY** Entrance to Major requirements